



Brings you the best in Retail Technology

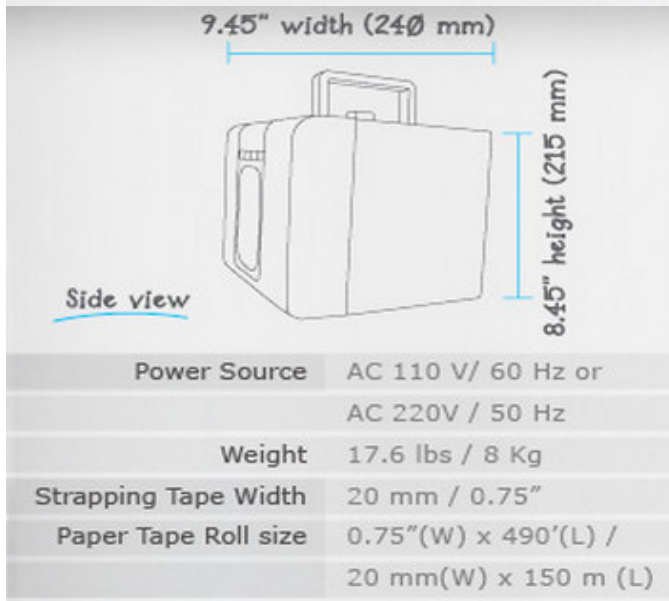
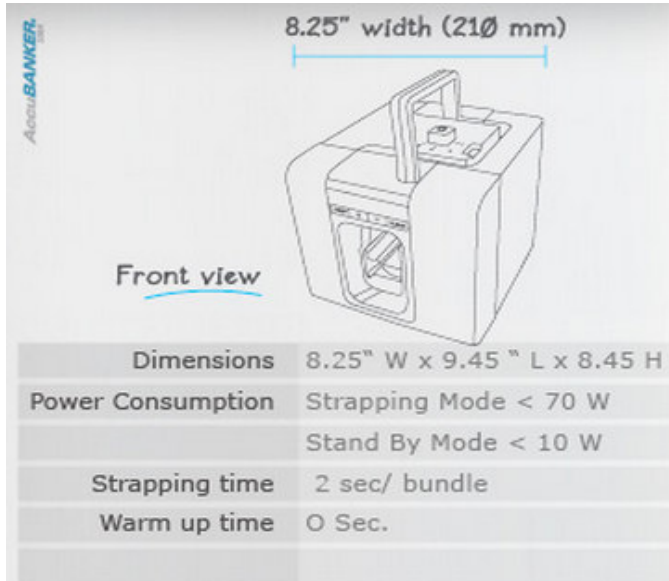
AS100 Automatic Strapping Machine

Due to the high market demand for a reliable cost effective strapping device, AccuBANKER has introduced the AS-100 banknote-strapping machine. This easy to use, labor saving machine provides the cash strapping solution your business needs. Saves time when preparing float for tills or bank deposits. The AS-100 completes the automation of the currency handling process allowing a high ROI.

deal for businesses and institutions processing from medium to high cash volumes such as retail store chains, banks, vaults, ATMs, casinos, etc. The automatic strapping machine is designed to fully automate all your currency-strapping operations for your choice of currency.



Specifications



Features

- No Warm-up time needed
- Saves time and labor costs
- Auto energy saving mode
- Anyone can use it
- Easy paper feeding
- Digital Temperature Gauge
- Adjustable Strapping mode
- Digital LED Display
- Sturdy Carrying Handle
- 3-Year Warranty

Applications

- Financials,
- Industrial and
- commercial applications



SAM4S

Honeywell

MAGTEK

AccuBANKER
because your money counts



Staff on time

GODEX



Bur Dubai Office

Al Esbij Road off Khaleed Bin Waleed Street,
Bur Dubai PO Box 44960, Dubai, UAE
Tel: +971 4 352 3288 Fax: +971 4 351 3396
Website: www.eposintl.com

Jebel Ali Office

Plot No. S10119 South Zone, Gate No. 7
Jebel Ali Free Zone (JAFZA), Dubai, UAE
Tel: +971 4 886 2980 Fax: +971 4 886 2971
Email: sales@eposintl.com

