



Brings you the best in Retail Technology

ECD 7303

VFD Customer Display

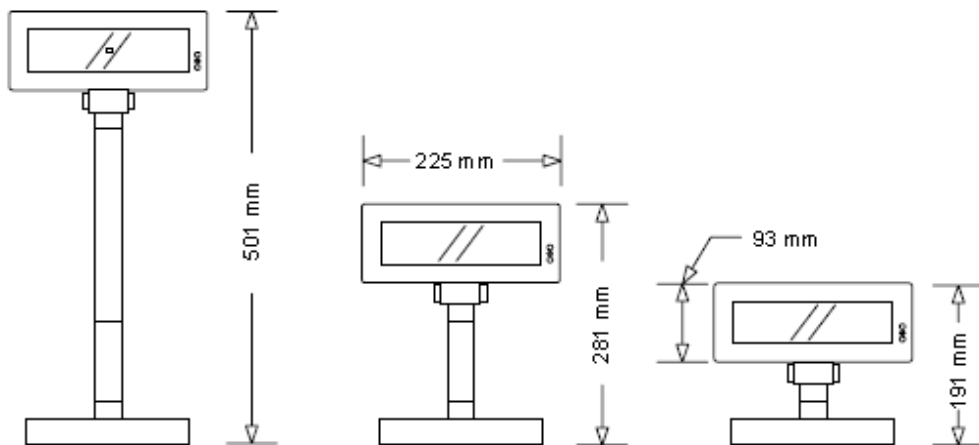


Vacuum Fluorescent Display (VFD)

Features:

- Data can be display on 20 columns x 2 lines.
- Blue-green color and large character are easy to see
- The DIP switches setting emulate commands mode, baud rate and international character.
- Command emulation modes include POS7300/ CD5220 II/ ADM787/ UTC / AEDEX/ Epson/ DSP800.
- User's-defined character and message can be downloaded.
- Display area can be controlled by window function.
- Provides an interface based in RS-232C, and RS232C baud rate from 4800 to 38400 bps.
- Reverse characters can be specified using the Epson command set.
- Support software has facility for designing user-defined characters and downloading setup parameters to the display.
- The other option interface RS485 can link max. 256 display by one port.
- Provides pass through function, so both printer and display can be connected to the same port.

| | |
|------------------------------------|--|
| Data Display: | 20 columns x 2 lines or 12 columns x 1 line. |
| Character type: | 1 kind of user defined character |
| 2 x 20 type: | 96 alphanumeric / 13 kinds of international character sets / |
| 1 x 12 types: | 10 numeric |
| Character Font 2 x 20 type: | 5 x 7 dot matrix; 9.0 mm x 5.25 mm 1 x 12 type: 7 segment, dot matrix 17.0 x 5.4 mm |
| User-defined characters: | Messages can be downloaded (Only for 2 x 20 type) |
| Interface: | Serial interface. |
| Color: | White or Black available. |
| Display color: | Blue green |
| Power Requirement: | DC +12V ~ +19V; 3 ~ 6W |
| Tilt angle: | 0° ~ 45°; Rotation angle Max. 270° |
| Dimension: | Base 19.7 x 10 cm (W x D); 19.5 / 28.5 / 56 cm (H) |
| Net Weight: | 1.25 kg |
| Operation: | 5 °C ~ 45 °C; 30 % ~ 85 % relative humidity |
| P/N: | P07303 |



Shweta POS Systems
501, Gopal Towers,
Near Maninagar RLY Station,
Maninagar,
Ahmedabad – 380008
Gujarat
Tel: +91-9099094199

E-mail: sales@shwetapossystem.com
Web: www.shwetapossystems.com

