



Brings you the best in Retail Technology

NQuire 200

Customer Information Terminal

The NQuire 200 customer information terminal is designed to read/scan, inform and interact with your customer.

It is excellent for communicating prices, product information and loyalty points.

This small and alternative information terminal reads multiple data carriers; from 1D EAN/UPC barcodes to complex 2D barcodes of mobile phone displays. It is even possible to equip the NQuire 200 with a RFID reader!



Product Features

- **Data Collection**

Through a 1D CCD or 1D/2D image engine with a RFID engine as an optional addition

- **Value-for-Money**

Designer and ergonomic Information Terminal which can be used as, e.g. a Price Verifier / Checker or Access Control terminal.

- **Data Transmission**

Transmit data through Ethernet or WiFi.

- **Great Environment adaption**

Because of its small size and the VESA 75 mountability, it can be installed virtually anywhere in a store or office.

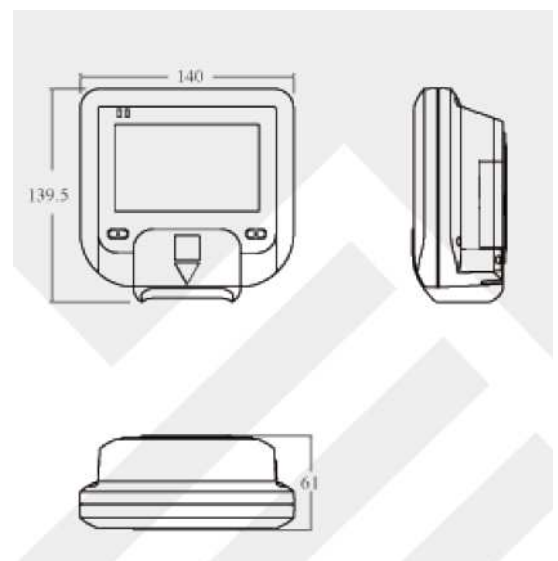
- **External device connections**

The external USB and GPIO ports enable the possibilities to attach a handheld scanner for scanning bulky objects or to connect an entry/exit gate or door lock.

- **Power Supply**

Charged through power adapter or Power-over-Ethernet

Dimensions (mm)



- **Advanced Technology**

Includes core-technology UIMG includes the optical, CMOS, digitizer, decoder, image processing & embedded systems.

Specification		NQuire201	NQuire202
CPU		32-bit ARM9 CPU	
Memory		SDRAM: 32 MB	
		Flash: 8 MB	
		Support Mini SD up to 2GB (for alternative fonts)	
Display		Blue-White 240*128 pixels graphical LCD (90mm x 55mm)	
Interface		10/100 Mbps Ethernet + WiFi OR PoE	
Optional	WiFi	IEEE 802.11b/g, 2.4GHz, DSSS, 14dBm, WEP 64/128, WPA/WPA2	
	RFID	Mifare (ISO 14443A)	
External Ports	USB	USB Host	
	GPIO	Free programmable GPIO (2 in - 2 out)	
Reading Modes		CCD	Imager
Symbologies		PDF417, QR Code, Data Matrix, Aztec, Vericode, Chinese-Sensible Code	
		Code128, EAN-13, EAN-8, Code39, UPC-A, UPC-E, GS1 Databar, Codabar, Interleaved 2 of 5, China post 25, ISBN/ISSN, Code93, etc.	
Precision		≥4 mil	≥3 mil
Power	Adapter	12DC, 2000mA	
	P-o-E	Power-over-Ethernet IEEE 802.3af (Optional)	
Environment	Op. Temp.	-5°C ~ + 45°C	
	St. Temp.	-20°C ~ + 55°C	
	Operate Humidity	5% - 90% (no condensation)	
	Storage Humidity	5% - 95% (no condensation)	
Weight		440g	
Dimensions		140 mm(H) * 140 (W)mm * 60 (D) mm	
Operation System		Linux Kernel 2.6.25	
Certifications		FCC, CE	

Accessories

VESA Mount: VESA 75 Mount – The NQuire complies with standard VESA 75 brackets enabling easy mounting on shelves and walls.

Power: ADP005 – The power adapter for NQuire200 Series. Output: DC12V,2A; Input AC100~240V, 50~60HZ.

Applicable Accessories

Configuration tools

The NQuire 200 uses an internal webserver for configuration. This eliminates Operating System restrictions.

Shweta POS Systems
501, Gopal Towers,
Near Maninagar RLY Station,
Maninagar,
Ahmedabad – 380008
Gujarat
Tel: +91-9099094199

E-mail: sales@shwetapossystem.com
Web: www.shwetapossystems.com

