



Brings you the best in Retail Technology

NQuire 230

Customer Information Terminal with touch screen

The NQuire 230 customer information terminal is designed to read/scan, inform and interact with your customer.

It is excellent for communicating prices, product information and loyalty points. Furthermore, because of the touch screen, you can use it as an access control terminal, time & attendance and more...

This small and attractive information terminal reads multiple data carriers; from 1D EAN/UPC barcodes to complex 2D barcodes of mobile phone displays. It is even possible to equip the NQuire 230 with a RFID reader!



Product Features

- **Data Collection**

Through a 1D CCD or 1D/2D image engine with a RFID engine as an optional addition

- **Customer Interaction**

You can interact with your customer via a touch screen with up to 16 free definable "buttons". With this, you can show, for example, a keypad, more information or scroll up and down.

- **Value-for-Money**

Designer and ergonomic Information Terminal which can be used as, e.g. a Price Verifier / Checker or Access Control terminal.

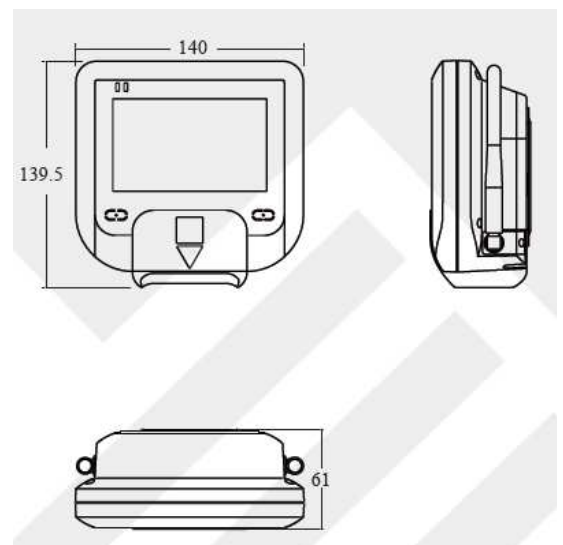
- **Data Transmission**

Transmit data through Ethernet, WiFi or GPRS.

- **Great Environment adaption**

Because of its small size and the VESA 75 mountability, it can be installed virtually anywhere in a store or office.

Dimensions (mm)



- **External device connections**

The external USB and GPIO ports enable the possibilities to attach a handheld scanner for scanning bulky objects or to connect an entry/exit gate or door lock.

- **Power Supply**

Charged through power adapter or Power-over-Ethernet

- **Advanced Technology**

Includes core-technology UIMG includes the optical, CMOS, digitizer, decoder, image processing & embedded systems.

Specification		NQuire231	NQuire232
CPU		32-bit ARM9 CPU	
Memory		SDRAM: 32 MB Flash: 8 MB Support Mini SD up to 2GB	
Display		Blue-White 240*128 pixels graphical LCD (90mm x 55mm) with up to 16 free definable touch buttons	
Interface		10/100 Mbps Ethernet + WiFi OR PoE OR GPRS	
Optional	WiFi	IEEE 802.11b/g, 2.4GHz, DSSS, 14dBm, WEP 64/128, WPA/WPA2	
	GPRS	GSM 850 / 900 / 1800 / 1900 MHz, 85.4Kbps(Max)	
	RFID	Mifare(ISO 14443A) TI(ISO 15693) EM(125K)	
External Ports	USB	USB Host	
	GPIO	Free programmable GPIO (2 in - 2 out)	
Reading Modes		CCD	Imager
Symbologies		PDF417, QR Code, Data Matrix, Aztec, Vericode, Chinese-Sensible Code Code128, EAN-13, EAN-8, Code39, UPC-A, UPC-E, GS1 Databar, Codabar, Interleaved 2 of 5, China post 25, ISBN/ISSN, Code93, etc.	
Precision		≥4 mil	≥3 mil
Power	Adapter	12DC, 2000mA	
	P-o-E	Power-over-Ethernet IEEE 802.3af (Optional)	
Environment	Op. Temp.	-5°C ~ + 45°C	
	St. Temp.	-20°C ~ + 55°C	
	Operate Humidity	5% - 90% (no condensation)	
	Storage Humidity	5% - 95% (no condensation)	
Weight		440g	
Dimensions		140 mm(H) * 140 (W)mm * 60 (D) mm	
Operation System		Linux Kernel 2.6.25	
Certifications		FCC, CE	

Accessories

VESA Mount: VESA 75 Mount – The NQuire 230 complies with standard VESA 75 brackets enabling easy mounting on shelves and walls.

Power: ADP005 – The power adapter for NQuire200 Series. Output: DC12V,2A; Input AC100~240V, 50~60HZ.

Applicable Accessories

Configuration tools

The NQuire 230 uses an internal webserver for configuration. This eliminates Operating System restrictions.

Shweta POS Systems
501, Gopal Towers,
Near Maninagar RLY Station,
Maninagar,
Ahmedabad – 380008
Gujarat
Tel: +91-9099094199

E-mail: sales@shwetapossystem.com
Web: www.shwetapossystems.com

