



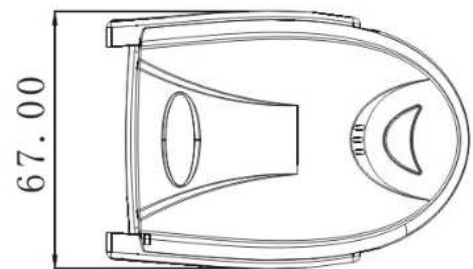
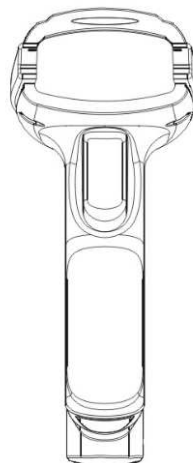
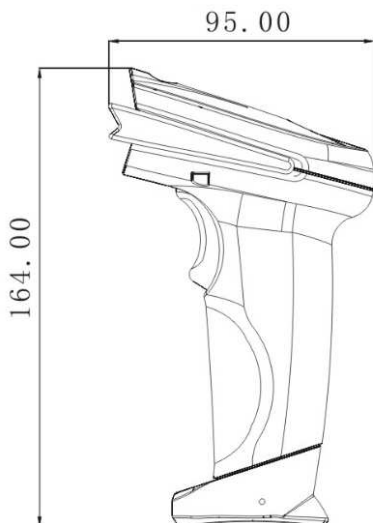
Brings you the best in Retail Technology

E-Scan 2100

Laser Barcode Scanner



DIMENSIONAL DRAWING



Specifications

Optical	
Scanner Type	Bi-directional
Light Source	650 - 670nm (visible)
Scan Rate	100 scans per second
Resolution	0.10mm (4mil) PC0.9
Width of decode field	50mm @60mm, 220mm@200mm
Depth of decode field	0-25mm (0.33mm.pcs90%)
Reading Distance	2.5 - 600mm (100% UPC/EAN)
Print Contrast	30% minimum reflective difference
Dimensions	L164mm x W67mm x H95mm
Weight	235g
Scanning Angle	Inclination angle 45°, Elevation angle 60°
Decode Capability	UPC/EAN, UPC/EAN with Supplementals, UCC/EAN 128, Code 39, Code 39 Full ASCII, Code 128, Codabar, ISBN, ISSN, Code 93, MSI, Interleaved 2 of 5, Code 11
Interfaces Supported	Keyboard Wedge, RS232, USB
Case Material	ABS+PC
Power	
Current Consumption	100mA (Idle Current <40mA)
Voltage Requirement	5VDC ±5%
Indicator	Beeper, LED
Environment	
Operating Temperature	0°C - 50°C / 32°F to 122°F
Storage Temperature	-40°C - 70°C / -40°F to 158°F
Relative Humidity	5% - 95% (non-condensing)
Shock	1.5m drop on concrete surface
Ambient Light Immunity	Immune to direct exposure of normal office and factory lighting conditions, as well as direct exposure to sunlight
Electrostatic Discharge	Conforms to ±15KV air discharge and ±8KV of contact discharge
Safety	CORH class 2 laser product, FCC class A and CE

Shweta POS Systems
501, Gopal Towers,
Near Maninagar RLY Station,
Maninagar,
Ahmedabad – 380008
Gujarat
Tel: +91-9099094199

E-mail: sales@shwetapossystem.com
Web: www.shwetapossystems.com



