



Magnetic Card Access Control

AC905



Features

Programmable

- Three Access Modes: Armed (access in accordance with User Database), Disarmed (free unrestricted access), and locked (no access)
- Up to 240 records in the User Database, each with an individual ID Code and/or Password
- Three Access methods (selected individually for each user): ID Card, Password, or ID Card + Password
- Access to Programming mode is protected by Master ID Card and/or Master Password
- Support for normally-closed and normally-opened types of electric locks, alarm lines, door open sensors and exit switches
- Many editable parameters such as lock activation time and mode, alarm enable/disable, etc.

The AC905 is a simple yet powerful stand alone Access Control Terminal with a built-in Magnetic Card Reader. The AC905 is designed to be...

...easy to install. Installing the AC905 is fast and hassle-free. The AC905's connector is conveniently located and clearly marked. There is no need to solder or crimp-just use a screw driver to connect the wires.

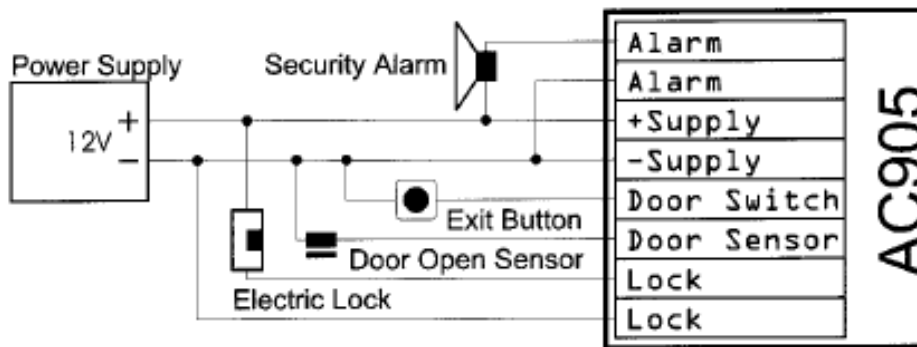
...simple to program. The AC905 is programmed from its own keypad and requires no external programming unit or computer connection. Despite being simple to use, the AC905 has many programmable features. Users can be added and deleted on the fly, several access modes are available, and the Terminal can be customized to work with different external hardware and configured with additional options that will further enhance the AC905's performance.

...convenient. Magnetic cards are by far the most popular and lowest cost ID media available. the AC905 accepts standard track II ISO magnetic cards which means that even credit cards can be used as access cards. Magnetic cards can also be encoded, using a standard magnetic card encoder, with any ID code.

...and very, very reliable. Equipped with heavy-duty water-resistant keypad, powerful relays, reliable memory and glitch-free sensors, the AC905 is guaranteed to provide years of service-free operation.

Hardware

- Standard Track II ISO Magnetic Card Reader with a rated life of over 300,000 reads
- Heavy-duty water-proof keypad for password entry and terminal programming
- Highly reliable non-volatile memory- no backup battery required to prevent loss of data in the event of a power outage
- Powerful Lock and Alarm Relays (15A resistive load, 3A inductive load) with guaranteed life of 100,000 cycles
- Door Open Sensor and Door Open Switch inputs with opto-isolation to prevent problems caused by ESD
- Built-in Tamper Sensor to trigger the alarm if the Terminal's top cover is lifted
- Wide Supply Voltage Range: 9~15V (12V nominal)
- Splash-proof ABS body with metal back cover and compact physical dimensions of 115(w) x 120(h) x 38(d) mm



Typical AC905 Wiring Diagram

E-PoS International LLC
P.O. Box : 44960 Dubai, U.A.E.
Tel. : +971 4 3523288, 3512861
Fax : +971 4 3513396
E-mail : sales@eposintl.com www.eposintl.com

Our Business Partner